

REVISION		
REV	DATE	DESCRIPTION
1	06-FEB-2020	FIRST EDITION
2	06-JUN-2020	TABLE UPDATE

**NOTES:**

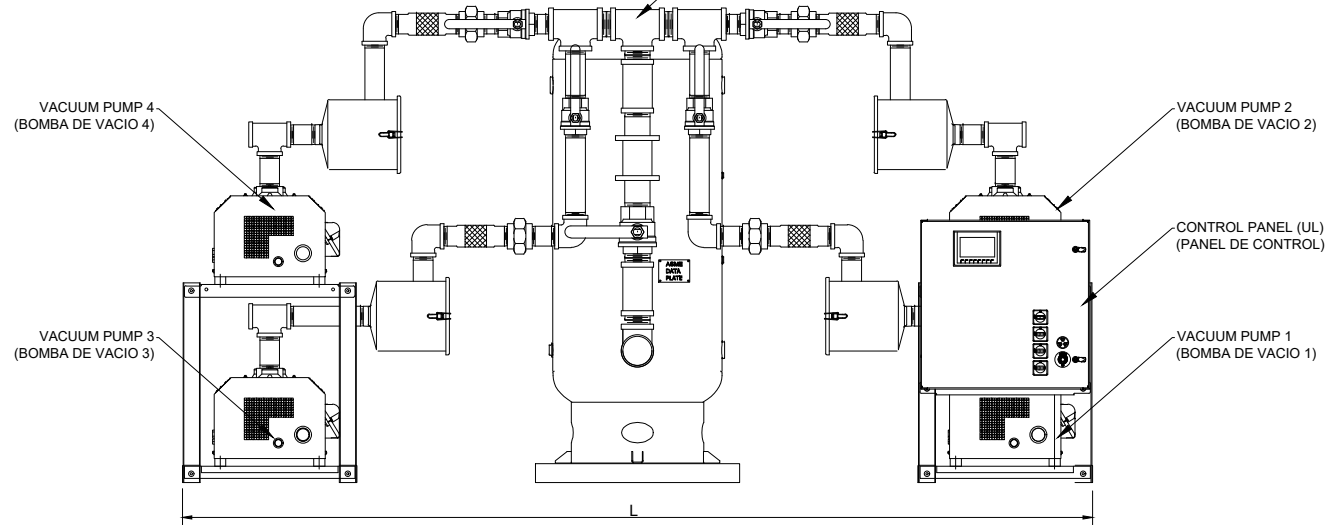
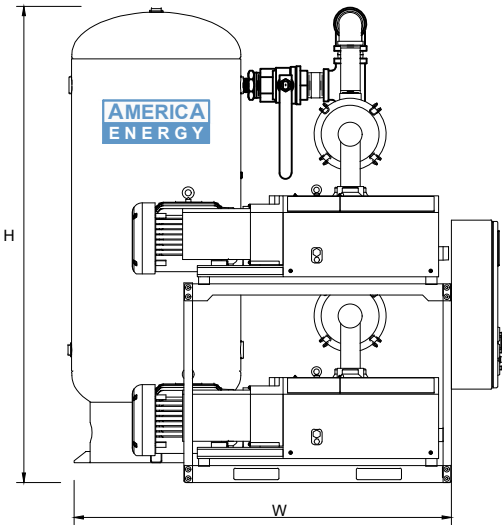
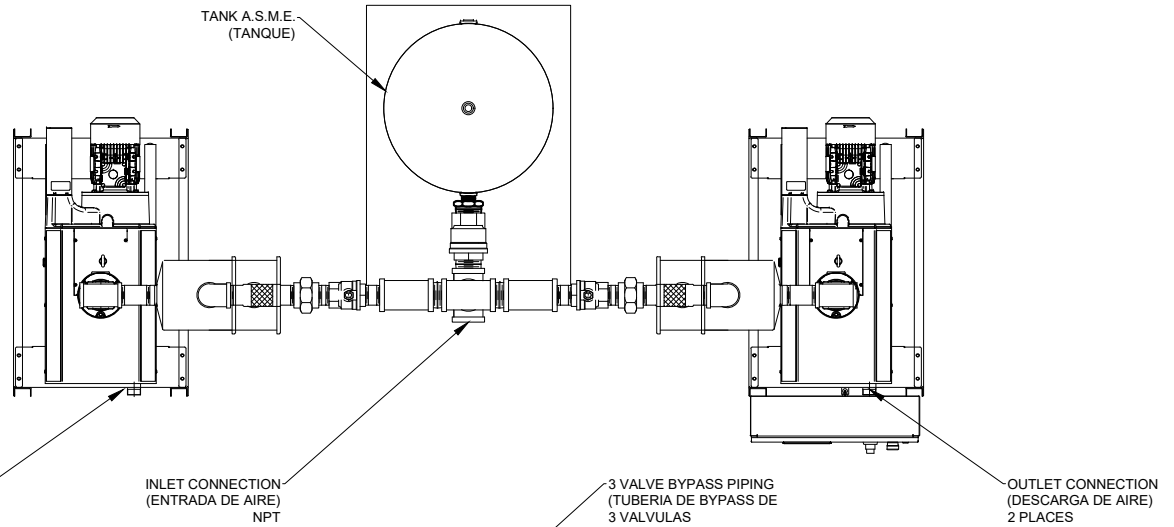
1. Min. Clearance on all sides must be 36 inch / 90 cms, for proper ventilation and maintenance.
2. Recommended tight torques for wires terminals:  
208 to 460 Volt wire: 35 Lbs/in<sup>2</sup>  
115 Volt wires: 20 Lbs/in<sup>2</sup>.
3. Normal operation ambient temperature MAX 105°F/40°C.
4. Flex connctors will be shipped loose.
5. Information subject to change without notice.

**NOTAS:**

1. Espacio mínimo alrededor del equipo 36 inch / 90 cms para garantizar adecuada ventilación y mantenimiento.
2. Torque recomendado de apriete para terminales de cables:  
Cables de 208 V a 460 V: 35 Lbs/in<sup>2</sup>  
Cables 115 V: 20 Lbs/in<sup>2</sup>
3. Temperatura ambiente de operación MAX: 105 °F / 40°C.
4. Las mangueras flexibles se envían sueltas.
5. Información sujeta a cambios sin previo aviso.

TANK CAP.	H	WEIGHT
Gal	in	Lbs
Lts	mm	Kgr
200	T.V	T.V
757	T.V	T.V
240	100	T.V + 240
908	2540	T.V + 109

T.V: TABLE VALUE / VALOR DE TABLA



MODEL	HP 60 Hz	CONN.		TANK SIZE	CONF	PUMP FLOW		SYSTEM NFPA FLOW ONE PUMP STANDBY		PUMP AMP TOTAL SYSTEM AMP						BTU/hr	SOUND LEVEL	DIMENSION			WEIGHT			
		kW	IN NPT			OUT NPT	Gal Lts	acfm	scfm	@19 inHg		50 Hz		60 Hz				50 Hz	60 Hz	L		W	H	Lbs
										50 Hz	60 Hz	50 Hz	60 Hz	190V	380V									
		50 Hz	in			in		m3/hr	m3/hr															
AEC-O100Q-200-S-NNX	10	4	2	200	S	230.8	277.0	252.8	303.3	21.0	10.5	-	23.6	-	11.8	63,665	85	130	80	91	4,790			
	7.5			757		392.4	470.9	429.8	515.6	84.0	42.0	-	94.4	-	47.2	76,398	89	3,302	2,032	2,311	2,173			
AEC-O150Q-200-S-NNX	15	4	2	200	S	294.2	353.0	322.0	386.5	29.0	14.5	-	35.0	-	17.5	95,496	86	130	80	91	4,850			
	11.2			757		500.0	600.1	547.4	657.1	116.0	58.0	-	140.0	-	70.0	114,595	90	3,302	2,032	2,311	2,200			

X = CONTROL PANEL TYPE (E: ELECTRONIC / T: TOUCH SCREEN / TW: TOUCH SCREEN & WEB COMMUNICATION)

**AMERICA ENERGY**

**AMERICA ENERGY, INC**  
Right Solution for Compressed Air & Vacuum Systems  
www.america-energy.com

TITLE: DIMENSIONAL DRAWING MEDICAL VACUUM SYSTEM CLAW 10 & 15HP QUADRUPLEX

DRAWING: DATE: 06-JUN-2020 DWG No DD-AEC-O100\_150Q-200-S-NNXrev2  
S.N.  
DESIGN: SCALE:  
S/E  
CHECKED: SHEET:  
A.A. 1/1

THIS INFORMATION IS PROPERTY OF AMERICA ENERGY, INC. AND MAY NOT BE GIVEN TO ANY OTHER PARTY WITHOUT THE CONSENT OF AMERICA ENERGY, INC.