

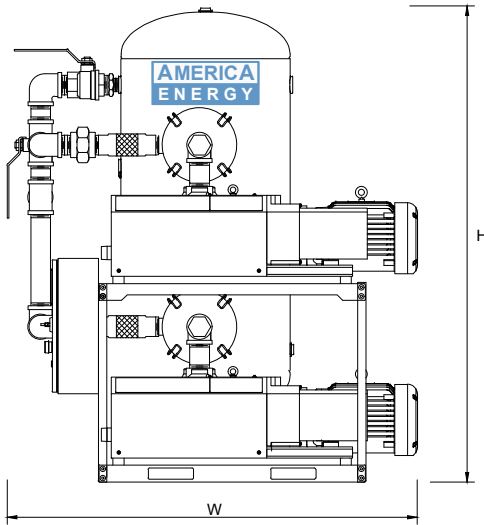
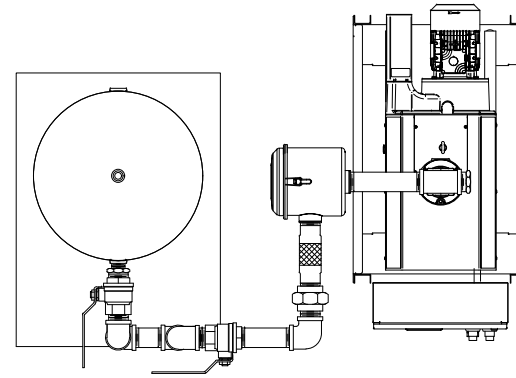
REVISION		
REV	DATE	DESCRIPTION
1	18-MAR-2020	FIRST EDITION
2	10-SEP-2020	TANK UPDATE

NOTES:

1. Min. Clearance on all sides must be 36 inch / 90 cms, for proper ventilation and maintenance.
2. Recommended tight torques for wires terminals:
208 to 460 Volt wire: 35 Lbs/in²
115 Volt wires: 20 Lbs/in².
3. Normal operation ambient temperature MAX 105°F/40°C.
4. Flex connctors will be shipped loose.
5. Information subject to change without notice.

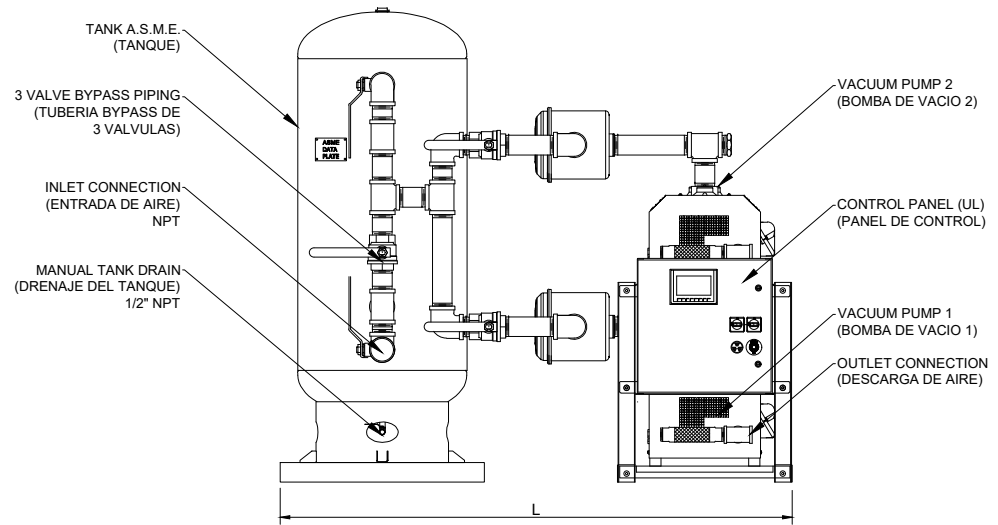
NOTAS:

1. Espacio mínimo alrededor del equipo 36 inch / 90 cms para garantizar adecuada ventilación y mantenimiento.
2. Torque recomendado de apriete para terminales de cables:
Cables de 208 V a 460 V: 35 Lbs/in²
Cables 115 V: 20 Lbs/in²
3. Temperatura ambiente de operación MAX: 105 °F / 40°C.
4. Las mangueras flexibles se envían sueltas.
5. Información sujeta a cambios sin previo aviso.



TANK CAP.	H	WEIGHT
Gal	in	Lbs
Lts	mm	Kgr
120	T.V	T.V
454	T.V	T.V
200	86	T.V+162
757	2185	T.V+73
240	100	T.V + 240
908	2540	T.V + 109

T.V: TABLE VALUE / VALOR DE TABLA



MODEL	HP 60 Hz	CONN.		TANK SIZE Gal Lts	CONF	PUMP FLOW (each module)		SYSTEM NFPA FLOW ONE PUMP STANDBY				PUMP AMP TOTAL SYSTEM AMP					SOUND LEVEL Db (A)	DIMENSION			WEIGHT Lbs						
		kW	IN NPT in			OUT NPT in	acfm m3/hr	scfm m3/hr		BTU/hr		TOTAL SYSTEM AMP						L	W	H							
								50 Hz	60 Hz	50 Hz	60 Hz	190V	380V	208V	230V	400V						460V	50 Hz	60 Hz	in	in	in
AEC-O100D-120-S-NNX...	10	3	2	120	S	230.8	277.0	84.3	101.1	21.0	10.5	-	23.6	-	11.8	21,222	82	92	75	81	2,588						
	5.6			454		392.4	470.9	143.3	303.3	42.0	21.0	-	47.2	-	23.6	25,247	86	2,337	1,905	2,057	1,172						
AEC-O150D-120-S-NNX...	15	3	2	120	S	294.2	353.0	107.5	129.0	29.0	14.5	-	35.0	-	17.5	31,833	83	92	75	81	2,738						
	7.5			454		500.0	600.1	182.8	219.3	58.0	29.0	-	70.0	-	35.0	38,199	87	2,337	1,905	2,057	1,242						

X = CONTROL PANEL TYPE (E: ELECTRONIC / T: TOUCH SCREEN / TW: TOUCH SCREEN & WEB COMMUNICATION)

AMERICA ENERGY, INC
Right Solution for Compressed Air & Vacuum Systems
www.america-energy.com

TITLE: DIMENSIONAL DRAWING MEDICAL VACUUM SYSTEM
CLAW 10HP & 15 HP DUPLEX

DRAWING: DATE: 10-SEP-2020 DWG No DD-AEC-O100_150D-120_240-S-NNXrev2
S.N.
DESIGN: SCALE: S/E
A.A. S/E
CHECKED: SHEET: 1/1
A.A. 1/1

THIS INFORMATION IS PROPERTY OF AMERICA ENERGY, INC. AND MAY NOT BE GIVEN TO ANY OTHER PARTY WITHOUT THE CONSENT OF AMERICA ENERGY, INC.