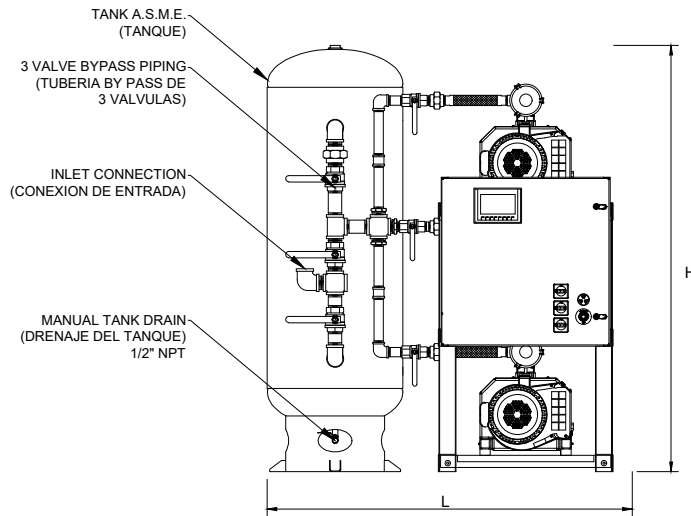
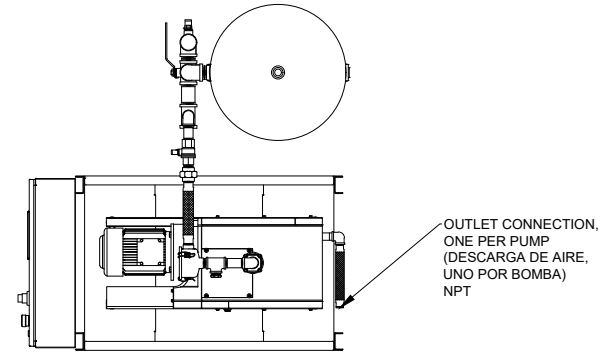


REVISION		
REV	DATE	DESCRIPTION
1	20-MAR-2020	FIRST EDITION

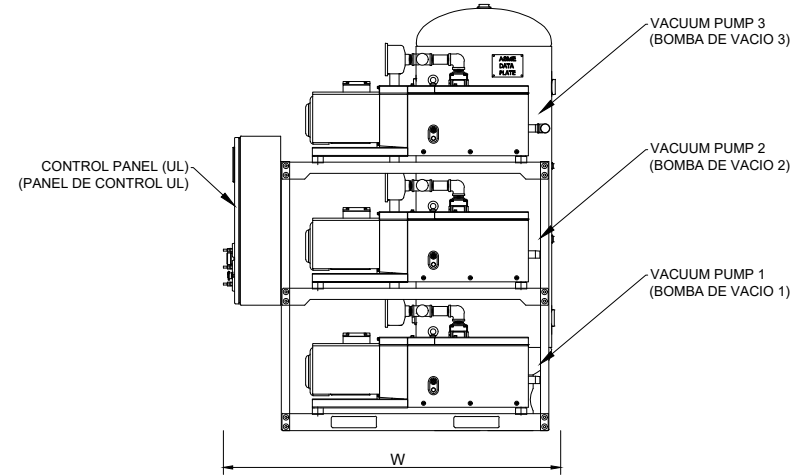
- NOTES:
1. Min. Clearance on all sides must be 36 inch / 90 cms, for proper ventilation and maintenance.
 2. Recommended tight torques for wires terminals:
208 to 460 Volt wire: 35 Lbs/in²
115 Volt wires: 20 Lbs/in².
 3. Normal operation ambient temperature MAX 105°F/40°C.
 4. Flex connctors will be shipped loose.
 5. Information subject to change without notice.

- NOTAS:
1. Espacio mínimo alrededor del equipo 36 inch / 90 cms para garantizar adecuada ventilación y mantenimiento.
 2. Torque recomendado de apriete para terminales de cables:
Cables de 208 V a 460 V: 35 Lbs/in²
Cables 115 V: 20 Lbs/in²
 3. Temperatura ambiente de operación MAX: 105 °F / 40 °C.
 4. Las mangueras flexibles se envían sueltas.
 5. Información sujeta a cambios sin previo aviso.



TANK CAP.	H	WEIGHT
Gal	in	Lbs
Lts	mm	Kgr
120	T.V	T.V
454	T.V	T.V
200	82	T.V + 180
757	2083	T.V + 82
240	95	T.V + 240
908	2413	T.V + 109

T.V: TABLE VALUE / VALOR DE TABLA



MODEL	HP 60 Hz	CONN.		TANK SIZE	CONF	PUMP FLOW		SYSTEM NFPA FLOW ONE PUMP STANDBY		PUMP AMP TOTAL SYSTEM AMP					BTU/hr	SOUND LEVEL	DIMENSION			WEIGHT								
		kW	IN			OUT	Gal	acfm	scfm	50 Hz	60 Hz	190V	380V	60 Hz			50 Hz	50 Hz	L		W	H	Lbs					
														50 Hz										60 Hz	50 Hz	60 Hz	50 Hz	60 Hz
AEC-O20T-120-S-NNX...	2.0	2	1	120	S	36.7	44.0	26.6	32.0	5.2	2.6	5.6	5.6	2.8	2.8	8,490	68	68	64	79	2320							
	1.2			454		62.3	74.8	45.4	54.4	15.6	7.8	16.8	16.8	8.4	8.4	10,186	72	1727	1626	2007	1052							
AEC-O30T-120-S-NNX...	3.0	2	1	120	S	47.5	57.0	35.0	42.0	7.6	3.8	8.6	8.4	4.3	4.2	12,734	68	68	64	79	2330							
	1.9			454		80.8	96.9	59.6	71.4	22.8	11.4	25.8	25.8	12.9	12.6	15,280	72	1727	1626	2007	1057							
AEC-O40T-120-S-NNX...	4.0	2	1	120	S	65.8	79.0	48.4	58.0	10.0	5.0	10.0	9.2	5.0	4.6	16,980	77	68	64	79	2330							
	2.5			454		111.9	134.3	82.2	98.6	30.0	15.0	30.0	27.6	15.0	13.8	20,374	81	1727	1626	2007	1057							
AEC-O50T-120-S-NNX...	5.0	2	1	120	S	85.8	103.0	63.4	76.0	10.2	5.1	12.6	11.4	6.3	5.7	21,222	77	68	64	79	2350							
	3.1			454		145.9	175.1	107.6	129.2	30.6	15.3	37.8	34.2	18.9	17.1	25,468	81	1727	1626	2007	1066							

X = CONTROL PANEL TYPE (E: ELECTRONIC / T: TOUCH SCREEN / TW: TOUCH SCREEN & WEB COMMUNICATION)

AMERICA ENERGY, INC
Right Solution for Compressed Air & Vacuum Systems
www.america-energy.com

TITLE: DIMENSIONAL DRAWING MEDICAL VACUUM SYSTEM CLAW 2HP TO 5HP TRIPLEX STACK

DWG No DD-AEC-O20_50T-S-NNXrev1

THIS INFORMATION IS PROPERTY OF AMERICA ENERGY, INC. AND MAY NOT BE GIVEN TO ANY OTHER PARTY WITHOUT THE CONSENT OF AMERICA ENERGY, INC.