

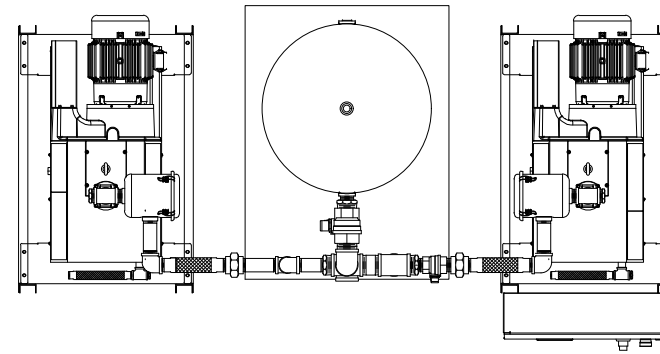
REVISION		
REV	DATE	DESCRIPTION
1	27-MAY-2020	FIRST EDITION
2	04-SEP-2020	UPDATE TABLA VALUES

NOTES:

1. Min. Clearance on all sides must be 36 inch / 90 cms, for proper ventilation and maintenance.
2. Recommended tight torques for wires terminals:  
208 to 460 Volt wire: 35 Lbs/in<sup>2</sup>  
115 Volt wires: 20 Lbs/in<sup>2</sup>.
3. Normal operation ambient temperature MAX 105°F/40°C.
4. Flex connctors will be shipped loose.
5. Information subject to change without notice.

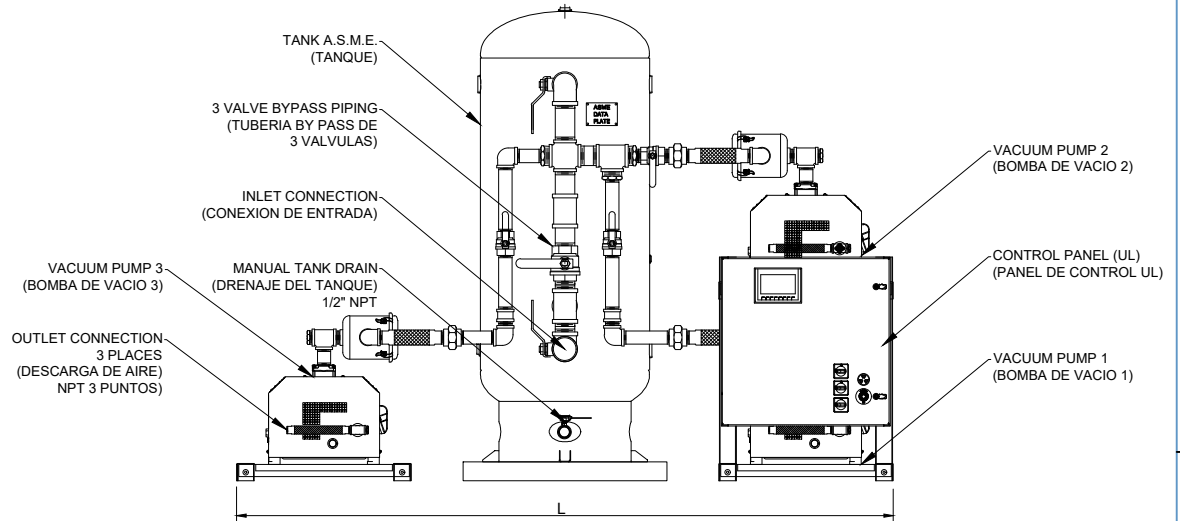
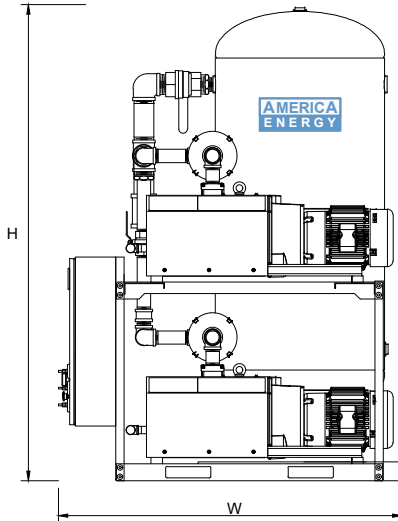
NOTAS:

1. Espacio mínimo alrededor del equipo 36 inch / 90 cms para garantizar adecuada ventilación y mantenimiento.
2. Torque recomendado de apriete para terminales de cables:  
Cables de 208 V a 460 V: 35 Lbs/in<sup>2</sup>  
Cables 115 V: 20 Lbs/in<sup>2</sup>
3. Temperatura ambiente de operación MAX: 105 °F / 40°C.
4. Las mangueras flexibles se envían sueltas.
5. Información sujeta a cambios sin previo aviso.



TANK CAP.	H	WEIGHT
Gal	in	Lbs
Lts	mm	Kgr
120	T.V	T.V
454	T.V	T.V
200	86	T.V + 180
757	2184	T.V + 82
240	96	T.V + 240
908	2438	T.V + 109

T.V: TABLE VALUE / VALOR DE TABLA



MODEL	HP 60 Hz	CONN.		TANK SIZE Gal Lts	CONF	PUMP FLOW (each module)		SYSTEM NFPA FLOW ONE PUMP STANDBY		PUMP AMP TOTAL SYSTEM AMP						BTU/hr	SOUND LEVEL Db (A)		DIMENSION			WEIGHT Lbs Kgr	
		kW	IN NPT			OUT NPT	acfm	m3/hr	scfm	m3/hr	50 Hz		60 Hz				50 Hz	60 Hz	in	W in	H in		
											50 Hz	60 Hz	190V	380V	208V								230V
		50 Hz	in			in	m3/hr	m3/hr	50 Hz	60 Hz	190V	380V	208V	230V	400V		460V	50 Hz	60 Hz	mm	mm		mm
AEC-064T-200-S-NNX	6.4	3	1	120	S	117.5	141.0	86.7	104.0	16.6	8.3	15.8	15.2	8.6	7.6	27,164	76	118	66	82	2,940		
	4.0			454		199.8	239.7	147.3	176.8	49.8	24.9	47.4	45.6	25.8	22.8	32,596	80	2,997	1,676	2,083	1,336		
AEC-075T-200-S-NNX	7.5	3	1	120	S	141.7	170.0	103.3	124.0	18.0	9.0	18.2	17.2	9.9	8.6	31,833	76	118	66	82	2,970		
	4.7			454		240.8	289.0	175.7	210.8	54.0	27.0	54.6	51.6	29.7	25.8	38,199	80	2,997	1,676	2,083	1,347		

X = CONTROL PANEL TYPE (E: ELECTRONIC / T: TOUCH SCREEN / TW: TOUCH SCREEN & WEB COMMUNICATION)

**AMERICA ENERGY, INC**  
Right Solution for Compressed Air & Vacuum Systems  
www.america-energy.com

TITLE: **DIMENSIONAL DRAWING MEDICAL VACUUM SYSTEM  
CLAW 6.4 TO 7.5 HP TRIPLEX**

DRAWING: DATE: 04-SEP-2020 DWG No DD-AEC-064\_75T-120\_240-S-NNX REV2  
S/N SCALE: S/E  
DESIGN: S/E  
CHECKED: SHEET: 1/1  
A.A.

THIS INFORMATION IS PROPERTY OF AMERICA ENERGY, INC. AND MAY NOT BE GIVEN TO ANY OTHER PARTY WITHOUT THE CONSENT OF AMERICA ENERGY, INC.