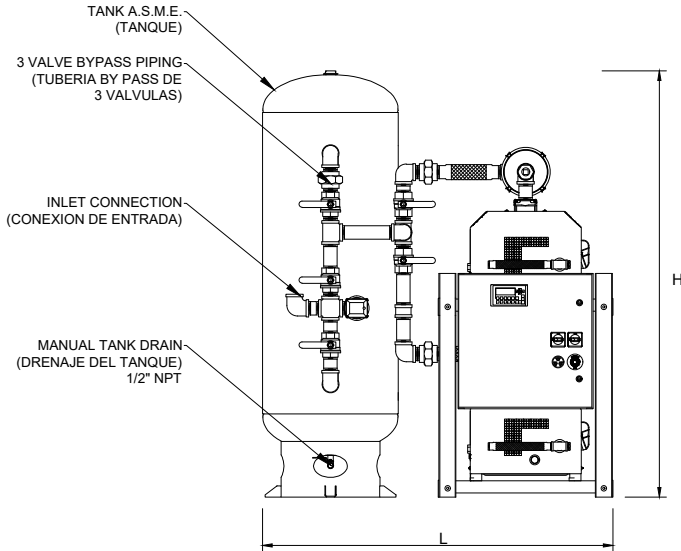
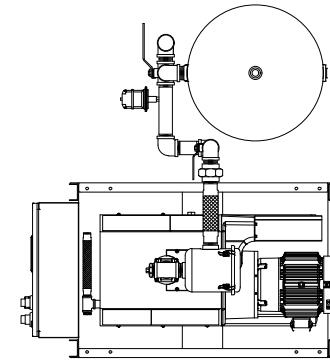


REVISION		
REV	DATE	DESCRIPTION
1	28-MAY-2020	FIRST EDITION

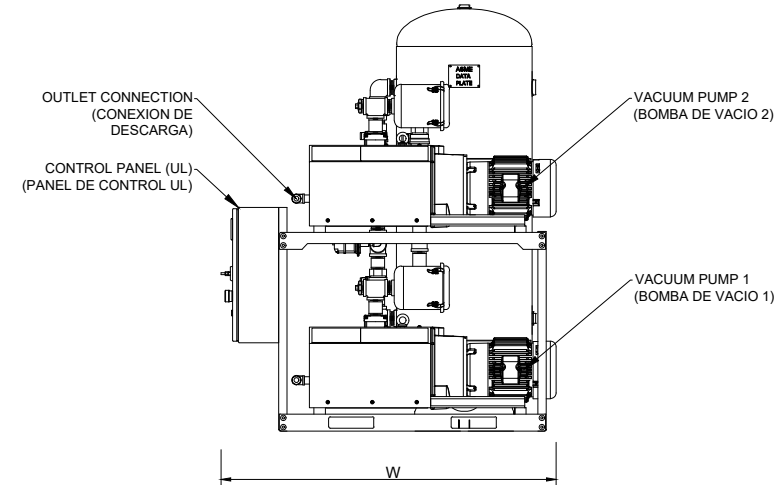
- NOTES:
- Min. Clearance on all sides must be 36 inch / 90 cms, for proper ventilation and maintenance.
 - Recommended tight torques for wires terminals:
208 to 460 Volt wire: 35 Lbs/in²
115 Volt wires: 20 Lbs/in².
 - Normal operation ambient temperature MAX 105°F/40°C.
 - Flex connctors will be shipped loose.
 - Information subject to change without notice.

- NOTAS:
- Espacio mínimo alrededor del equipo 36 inch / 90 cms para garantizar adecuada ventilación y mantenimiento.
 - Torque recomendado de apriete para terminales de cables:
Cables de 208 V a 460 V: 35 Lbs/in²
Cables 115 V: 20 Lbs/in²
 - Temperatura ambiente de operación MAX: 105 °F / 40°C.
 - Las mangueras flexibles se envían sueltas.
 - Información sujeta a cambios sin previo aviso.



TANK CAP.	H	WEIGHT
Gal	in	Lbs
Lts	mm	Kgr
120	T.V	T.V
454	T.V	T.V
200	82	T.V + 180
757	2083	T.V + 82
240	95	T.V + 240
908	2413	T.V + 109

T.V: TABLE VALUE / VALOR DE TABLA



MODEL	HP 60 Hz	CONN.		TANK SIZE Gal Lts	CONF	PUMP FLOW (each module)		SYSTEM NFPA FLOW ONE PUMP STANDBY		PUMP AMP TOTAL SYSTEM AMP						BTU/hr	SOUND LEVEL Db (A)	DIMENSION			WEIGHT Lbs			
		kW	IN NPT in			OUT NPT in	scfm	m3/hr	@19 inHg		50 Hz		60 Hz					L mm	W mm	H in				
									50 Hz	60 Hz	50 Hz	60 Hz	190V	380V	208V							230V	400V	460V
									50 Hz	60 Hz	50 Hz	60 Hz	190V	380V	208V							230V	400V	460V
AEC-O64D-120-S-NNX	6.4	2	1	120	S	117.5	141.0	43.3	52.0	16.6	8.3	15.8	15.2	8.6	7.6	13582	75	63	60	79	2273			
	4.0			199.8		239.7	73.7	88.4	33.2	16.6	31.6	30.4	17.2	15.2	16299	79	1600	1524	2007	1031				
AEC-O75D-120-S-NNX	7.5	2	1	120	S	141.7	170.0	51.7	62.0	18.0	9.0	18.2	17.2	9.9	8.6	15917	75	63	60	79	2285			
	4.7			240.8		289.0	87.8	105.4	36.0	18.0	36.4	34.4	19.8	17.2	19100	79	1600	1524	2007	1036				

X = CONTROL PANEL TYPE (E: ELECTRONIC / T: TOUCH SCREEN / TW: TOUCH SCREEN & WEB COMMUNICATION)

AMERICA ENERGY, INC
Right Solution for Compressed Air & Vacuum Systems
www.america-energy.com

TITLE: **DIMENSIONAL DRAWING MEDICAL VACUUM SYSTEM CLAW STACK DUPLEX**

DRAWING: J.E. DATE: 28-MAY-2020 DWG No: DD-AEC-O64_75D-120-S-NNXrev1

DESIGN: A.A. SCALE: S/E THIS INFORMATION IS PROPERTY OF AMERICA ENERGY, INC. AND MAY NOT BE GIVEN TO ANY OTHER PARTY WITHOUT THE CONSENT OF AMERICA ENERGY, INC.

CHECKED: A.A. SHEET: 1/1